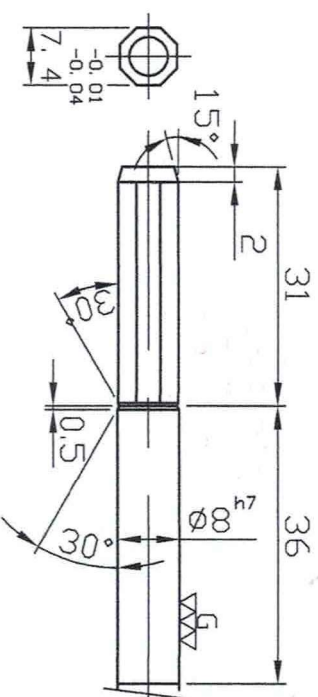
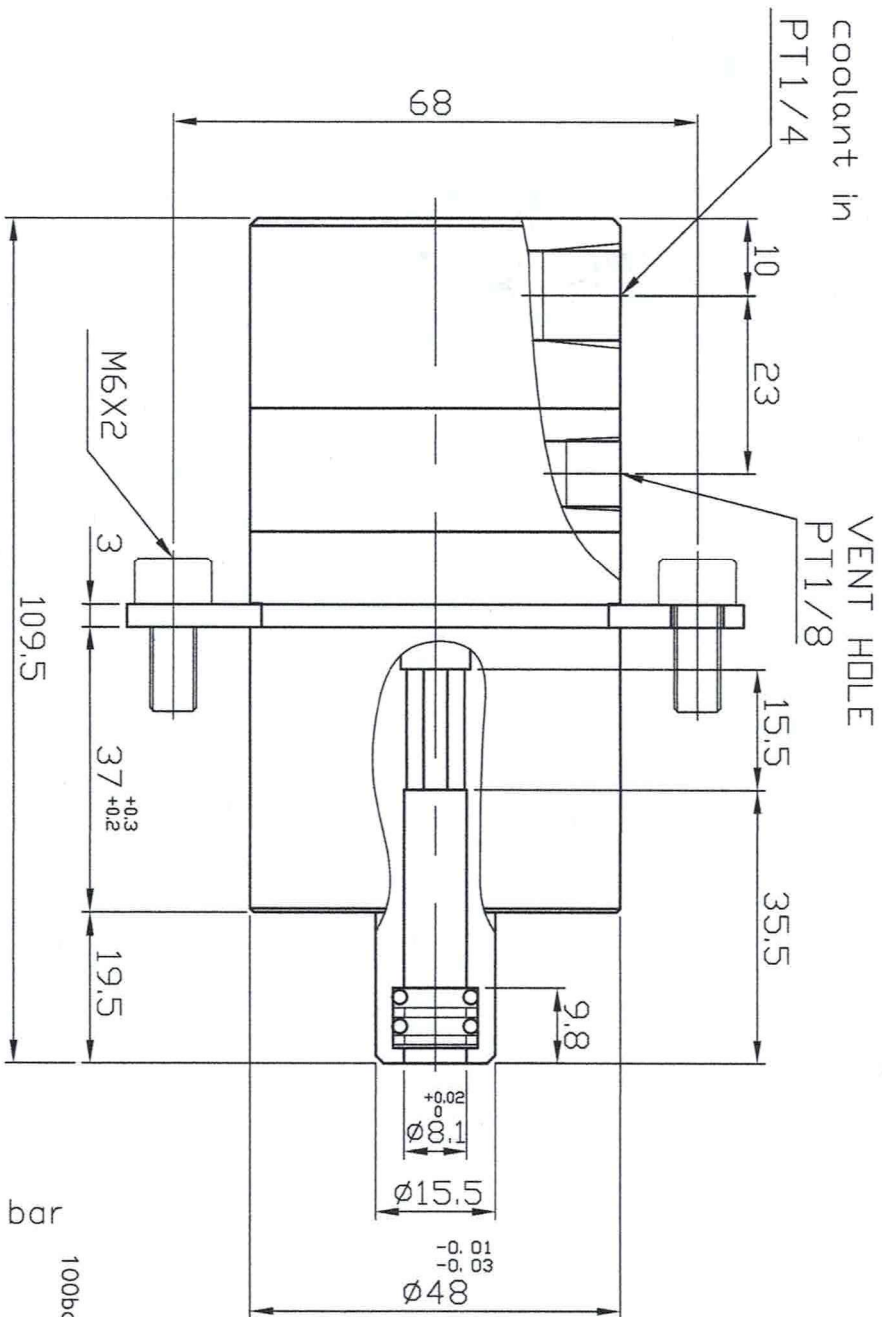


SMARTC. COMPANY

SU2000

SU2000S

BEARING SUPPORTED UNIONS
ROTATING UNIONS FOR CNC MACHINING CENTERS



OPERATING DATA

MAX. PRESSURE 105 bar
 MAX. TEMPERATURE 120°C
 MAX. RPM 15000
 DRY RUN
 FILTRATION 60 μm

